

SECTION B : 55 MARKS
BAHAGIAN B : 55 MARKAH

INSTRUCTION:

This section consists of **TWO (2)** structured questions. Answer **ALL** questions.

ARAHAN:

Bahagian ini mengandungi DUA (2) soalan berstruktur. Jawab SEMUA soalan.

QUESTION 1
SOALAN 1

- CLO1
C1 (a) List **TWO (2)** threats of mobile computing security.
Senaraikan DUA (2) ancaman kepada keselamatan pengkomputeran mudah alih.
- [2 marks]
[2 markah]
- CLO1
C2 (b) Describe Confidentiality in CIA Triad.
Jelaskan 'Confidentiality' dalam segitiga CIA
- [2 marks]
[2 markah]
- CLO2
C2 (c) Give **TWO (2)** differences between Unstructured Threats and Structured Threats.
Berikan DUA (2) perbezaan antara 'Unstructured Threats' dan 'Structured Threats'.
- [4 marks]
[4 markah]
- CLO2
C2 (d) Describe **ONE (1)** example of threat vector scenarios in Mobile Application.
Terangkan SATU (1) contoh senario ancaman vektor dalam Aplikasi Mudah Alih.
- [3 marks]
[3 markah]

CLO2
C3

- (e) Draw a diagram to illustrate Man-In-The-Middle Attacks Example.
Lukiskan rajah untuk menggambarkan Contoh Serangan 'Man-In-The-Middle'.

[7 marks]
[7 markah]

CLO2
C3

- (f) Draw a diagram to illustrate typical Distributed DoS structure.
Lukiskan rajah untuk menggambarkan struktur 'Distributed DoS'.

[7 marks]
[7 markah]

QUESTION 2

SOALAN 2

- CLO1
C1 (a) Give **TWO (2)** examples of Mobile Hardware.
Berikan DUA (2) contoh 'Mobile Hardware'.
- [2 marks]
[2 markah]
- CLO1
C2 (b) Describe the function provided by layer 6 – presentation layer in logical architecture of wireless network.
Huraikan fungsi lapisan 6 - lapisan persembahan dalam seni bina logik rangkaian tanpa wayar.
- [3 marks]
[3 markah]
- CLO2
C2 (c) Give **ONE (1)** technology and **ONE (1)** feature to differentiate between 2G and 3G Wireless Network.
Berikan SATU (1) teknologi dan SATU (1) ciri bagi membezakan antara Rangkaian Tanpa Wayar 2G dan 3G.
- [3 marks]
[3 markah]
- CLO2
C3 (d) Draw a diagram to illustrate the Three Tier Architecture for Mobile Computing.
Lukiskan rajah Senibina 3 Tingkatan bagi 'Mobile Computing'.
- [7 marks]
[7 markah]
- CLO1
C1 (e) Define Global System for Mobile Communication (GSM).
Berikan definisi untuk 'Global System for Mobile Communication' (GSM).
- [2 marks]
[2 markah]

- CLO1 (f) Based on Figure B1, classify **THREE(3)** main parts in GSM architecture
 C2 *Berdasarkan Rajah B1, klasifikasikan TIGA(3) bahagian utaman dalam senibina GSM.*

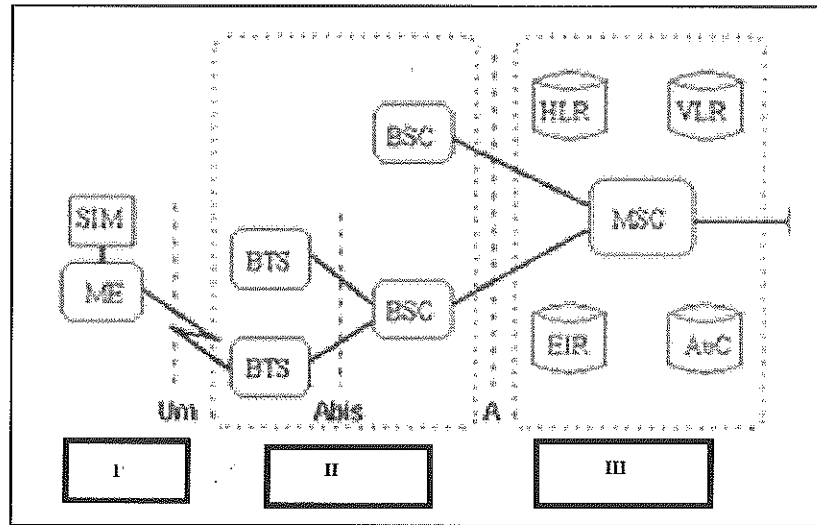


Figure B1 / Rajah B1

[3 marks]

[3 markah]

- CLO2 (g) A new installed application is requesting a permission to access your mobile
 C3 device storage and information. Describe the risks involve by allowing the application access and the countermeasure if a security attack happen on your mobile device.

Satu aplikasi yang baru dipasang sedang memohon kebenaran untuk memasuki sistem storan dan maklumat peralatan mudah alih anda. Terangkan risiko-risiko yang terlibat dan tindakan yang boleh diambil jika serangan keselamatan berlaku kepada peranti mudah alih anda.

[5 marks]

[5 markah]

- CLO2 (h) Illustrate a Risk Model for Mobile ecosystem
 C3 *Lukiskan Model Risiko untuk ekosistem mudah alih.*

[5 marks]

[5 markah]

SOALAN TAMAT